

# Batch System

## Complete Batchmeter Assembly

**NEW**



### Primary Features

- High speed count
- Complete Close coupled batching system
- Brass flowmeter, solenoid valve & integral strainer
- Automatic overrun compensation
- Local or Remote start/stop
- Maximum batch size limiting

Quality and Simplicity in Flow Measurement

**TRIMEC**

# Ecobatch System - high speed batch control system

## Overview

The ES high speed batching system has been specifically package as an installation-ready metering assembly suitable for the most common of liquid transfer applications throughout industry.

The batching of small to medium volumes of water or similar low viscosity liquids is a common requirement within many industries. Typical applications are found in the manufacture of car care products, food & beverage solutions, adhesives, building products, cosmetics, pharmaceutical, paint & chemicals.

## Simplified Installation & Operation

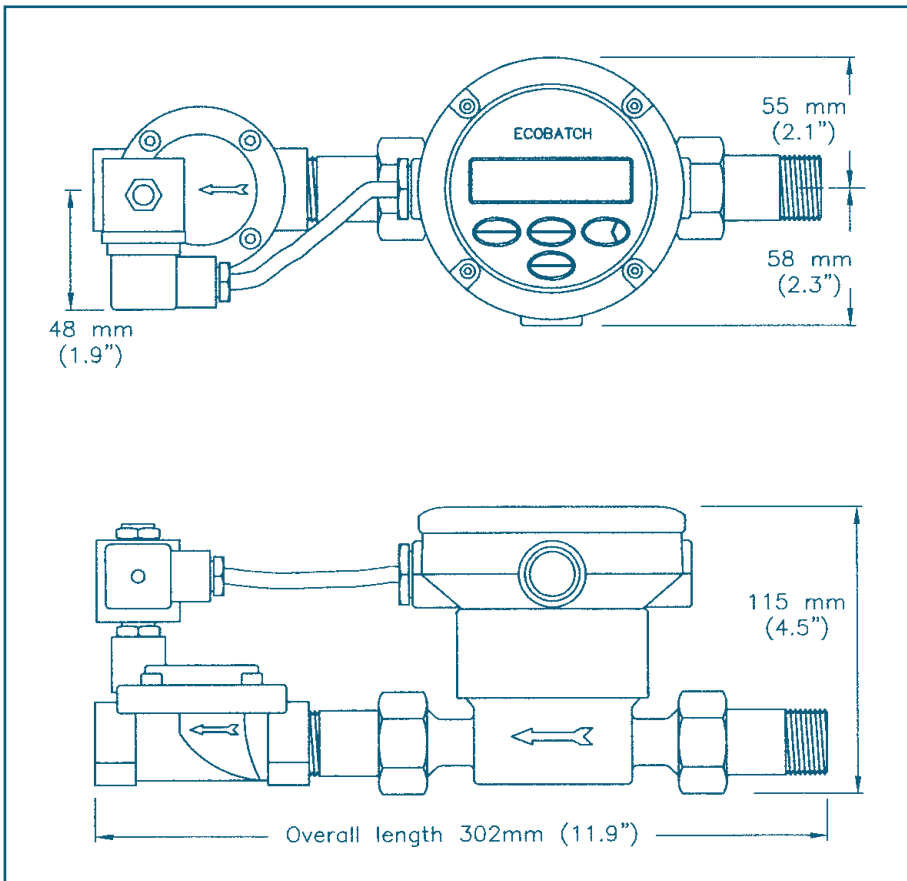
Inferential brass flowmeter with integral strainer & brass solenoid valve are supplied close coupled and wired to the integral batch controller ready for installation, simply pipe in and connect power and the system is ready to use.

Preset values, Batch total & Accumulated total are displayed on a large LCD display. Operation is prompted by scrolling text, smaller LCD text prompts announce the status of the batch controller at each phase of the batch process.

## General Specifications

- Brass body with 3/4" NPT or BSP connections
- Flow 1~70 l/min (0.3~18 USgal/min)
- 0.3~10 bar (4~150PSI) working press.
- Process temp. up to 80°C (180°F)
- Automatic overrun compensation
- Count UP or DOWN selection
- Integral flow conditioning
- Batch metering accuracy better than +/-0.5% with steady flow
- Large 8 digit LCD display
- 24vdc or optional 110~240vac supply
- Alphanumeric prompts with sub-script text
- Batch range 0.01~99999999 litres or gal.
- Optional backlite LCD display
- Total Number of Batches logged
- Non volatile memory
- Missing flow input pulse detection
- Selectable batch size limiting

## Packaged assembly



## AUSTRALIA

Trimec Industries Pty Ltd

2/1 Koonya Circuit Taren Point

NSW 2229 AUSTRALIA

Tel: +61 2 9540 4433

Fax: +61 2 9525 9411

Email: [sales@trimecind.com.au](mailto:sales@trimecind.com.au)

[www.trimecind.com](http://www.trimecind.com)

## EUROPE

Trimec Europe Ltd

Floor 3, 5A Boltro Road

Haywards Heath West Sussex

UNITED KINGDOM RH16 1BP

Tel: +44 144 441 7880

Fax: +44 144 441 7668

[www.trimecind.com](http://www.trimecind.com)

## USA

Trimec USA

2603 Camino Ramon

2nd Floor San Ramon

California USA 94583

Tel: + 1 925 242 2510

Fax: + 1 925 736 8497

Email: [schriefer@trimecusa.com](mailto:schriefer@trimecusa.com)

[www.trimecind.com](http://www.trimecind.com)