

# TX100 pH/mV Loop-Powered Transmitter



## Specifications

<b>Measuring Range (pH)</b>	0.00 to 14.00pH, 0.01 pH resolution, +/- 0.01 accuracy
<b>Measuring Range (ORP/mV)</b>	-1999mV to 1999mV, 1mV resolution, +/- 2mV accuracy
<b>Temperature Range</b>	-20 deg C to 110 deg C / -4 deg F to 230 deg F, 0.1 deg C/F resolution
<b>Current Output Range</b>	2.00mA to 24mA, .01mA resolution, +/-0.005mA accuracy, 500V input/output isolation
<b>Enclosure</b>	NEMA 4X IP65, ABS case with push-button control pad HWD: 3.9" (99.1 mm) x 3.9" (99.1 mm) x 2.9" (74.7mm)
<b>Weight</b>	approx. 1lb (.45kg)
<b>Mounting Options</b>	Wall, panel, din rail and pipe
<b>Conduit Openings</b>	2 each 3/8" NPT openings (cordgrips included)
<b>Ambient Temperature</b>	Transmitter Service, 0 deg C to 60 deg C / 32 deg F to 140 deg F
<b>Ambient Humidity</b>	0 to 95%, non-condensing
<b>Location</b>	Designed for non-hazardous areas
<b>Temperature Input</b>	2-wire Pt1000 RTD with automatic compensation
<b>Max Sensor-to-Transmitter Distance</b>	30 feet (9.1 meters)
<b>Power Requirement</b>	12-24 VDC, max 600Ohm load

**Voltage isolated (500 V) 4-20mA Output**

**Non-volatile memory retains all stored configurations and calibration data**

**Output Current Indicator for Out-of-Range and Hold Conditions prevents discrepant readings**

**Large segmented display indicates pH or mV and Temperature simultaneously**

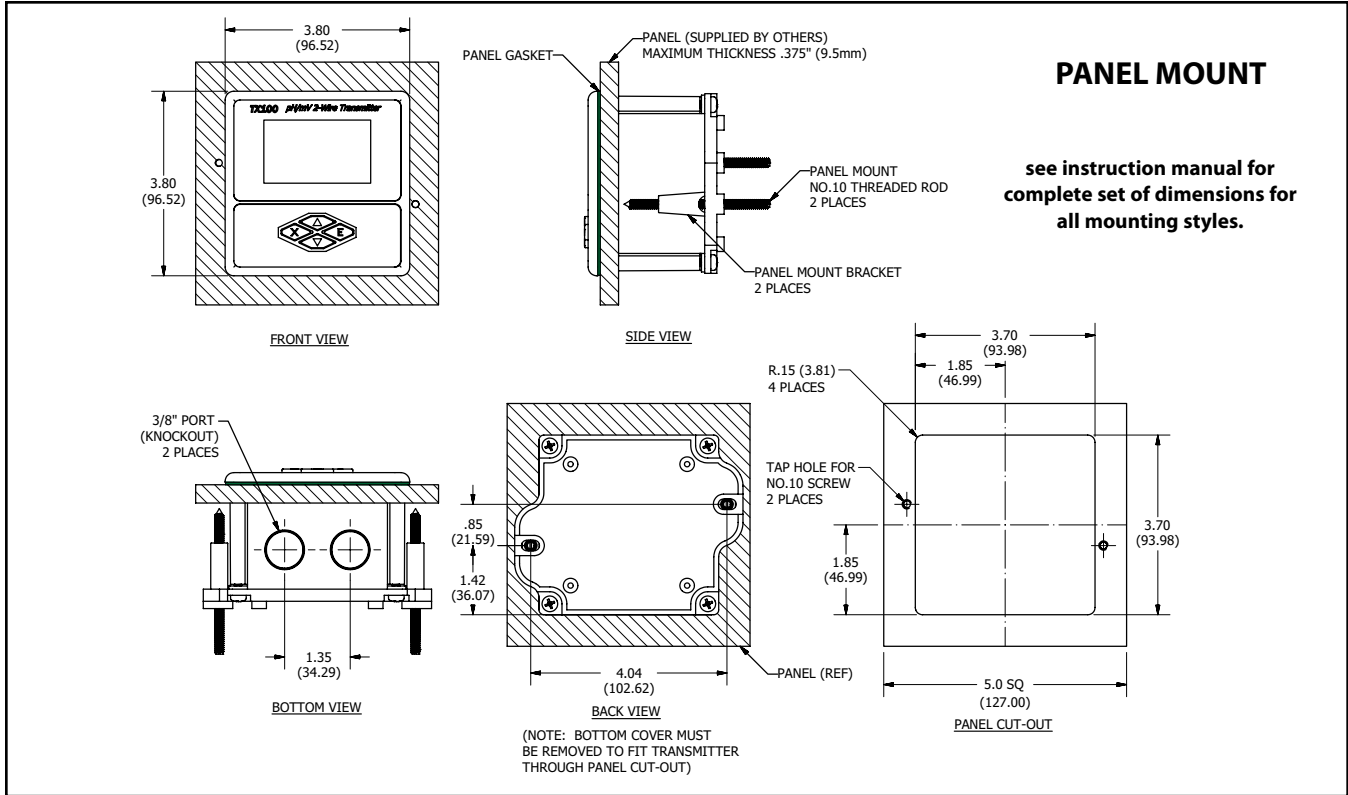
**Flashing screen icons indicate mode of operation**

**Programmable Probe Clean reminder flashes when it is time to clean probe (programmable from 1 to 250 days)**

The TX100 pH/mV transmitter is a loop-powered 4-20mA transmitter with a wide range of useful features and programmable options. Five buffer choices are available in two-point calibration mode. The 4-20mA output is scaleable in pH or mV units and has 500V input to output isolation. Temperature is always displayed and is selectable in degrees C or deg F. All stored parameters and calibration data are retained in the non-volatile memory during transmitter power down or power loss. A useful probe clean reminder icon flashes when it is time to clean the probe. Probe cleaning interval is user programmable from 1 to 250 days. The TX100 can be used for wall mounting, panel mounting, pipe mounting and DIN-rail mounting. Cable grips for inlet/outlet to box are included as well as all mounting hardware. The case meets NEMA and IP ratings for water resistance.

Parts covered by this product data sheet include:  
TX100

# TX100 pH/mV Loop-Powered Transmitter



**Wall Mount, DIN Rail Mount and Pipe Mount Hardware are all included**

## Ordering Information

The TX100 2-wire isolated pH/ORP transmitter is supplied complete with mounting hardware for panel, wall, din rail and pipe mounting with instructions. *Power supply is not included.*

### Model

TX100 Isolated pH/ORP 2-wire transmitter in 1/4 DIN case, requires 24V DC power supply (customer supplied)

### Accessories

BP104-100	pH4 powdered buffer sachet pillows, 100mL
BP107-100	pH7 powdered buffer sachet pillows, 100mL
BP110-100	pH10 powdered buffer sachet pillows, 100mL
BP104QH-100	255mV ORP powdered buffer sachet pillows, 100mL
BP107QH-100	90mV powdered buffer sachet pillows, 100mL



11751 Markon Dr.  
Garden Grove, CA 92841 USA  
Tel: 714-895-4344  
Fax: 714-894-4839  
E-mail: [info@sensorex.com](mailto:info@sensorex.com)  
[www.sensorex.com](http://www.sensorex.com)