

CON3000 Conductivity/Resistivity/Salinity Transmitter



Specifications

Measuring Range (Conductivity)	0.000 uS/cm -200.0 mS/cm in 6 ranges 0.001 uS/cm resolution, +/-1% Accuracy
(Resistivity)	0.00-20.00 MΩ/cm, 0.01 MΩ/cm resolution, +/-1% Accuracy
(Salinity)	0.0 -70.0ppt, 0.1ppt resolution, +/-1% Accuracy
Temperature Range	-30 °C to 130 °C , 0.1 °C resolution, 0.2 °C accuracy
Calibration Mode	Any tech & NIST buffers up to 2 points
Cell Constants	0.01, 0.1, 0.7, 10/cm fixed or freely selectable 0.0050 - 19.99/cm
Analog Output 1	0/4 -20mA , corresponding to pH or ORP output. Max load 500 Ω.
Analog Output 2	0/4 -20mA , corresponding to temperature output. Max load 500 Ω
Voltage Output	DC +/- 12V
Set-Points	Contact : 240V AC, 0.5A max Activate: 2 setpoints Hi/Low, On/Off
Enclosure	NEMA 4X IP65, with push-button control pad. HWD: 144 mm (5.67") x 144 mm (5.67") x 115mm (4.53")
Panel Cut-Out	138mm (5.43") x 138mm (5.43")
Weight	approx. 0.80kg (1.75lb)
Mounting Options	Panel, Wall or pipe mount
Ambient Temperature	0 °C to 50 °C
Storage Temperature	-20 °C to 70 °C
Temperature Compensation	NTC 30K or Pt1000 RTD with automatic compensation or manual
Temperature Coefficient	Linear comp 0.00-20.00%, Non-linear comp for natural waters
Power Requirement	100-240V AC +/- 10%, 50/60 Hz
Certification	CE

2 each Voltage isolated (500 V) 4-20mA Outputs (Conductivity or Resistivity or Salinity and Temperature)

2 Adjustable Hi'Lo Relay/Contacts

Large segmented display indicates Conductivity or Resistivity or Salinity and Temperature simultaneously

NEMA 4X, IP65 enclosure

Programmable wash feature

The CON3000 is a full-featured Conductivity or Resistivity or Salinity controller. Simply power up your CON3000 with 110-240V AC power and you get a controller with a wide range of useful features:

2 relays, 1 wash control, 2 each 4-20mA outputs (Cond & Temp or Resistivity & Temp or Salinity & Temp).

Calibration is simple with preset standard and can be password protected with a programmable security code.

Mounting choices include: wall, panel or pipe with all fittings included.

The large multi-segmented LCD includes a backlight so it can be easily viewed in all areas.

Ordering Information

Model

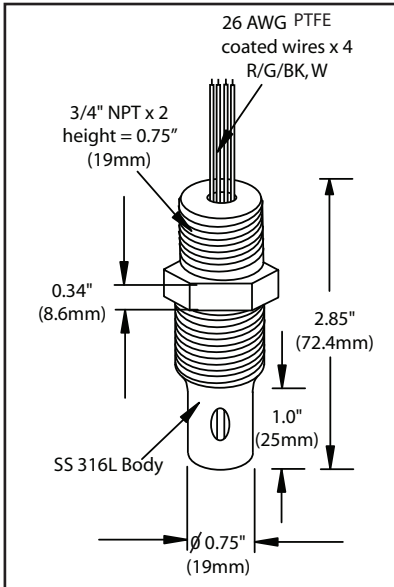
CON3000	Conductivity, Resistivity, Salinity Controller requires 110-240V AC power. 2 relays, 2 each 4-20mA outputs & wash control.
---------	--

note: RS485 output version is also available. Please contact Sensorex for details.

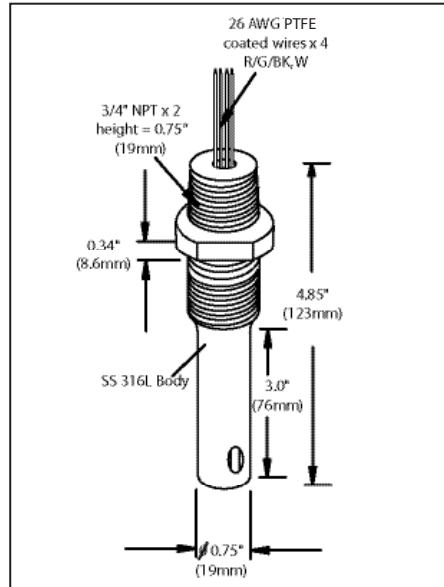
Parts covered by this product data sheet include: CON3000

Pair any of these high quality conductivity or resistivity sensors with your CON3000

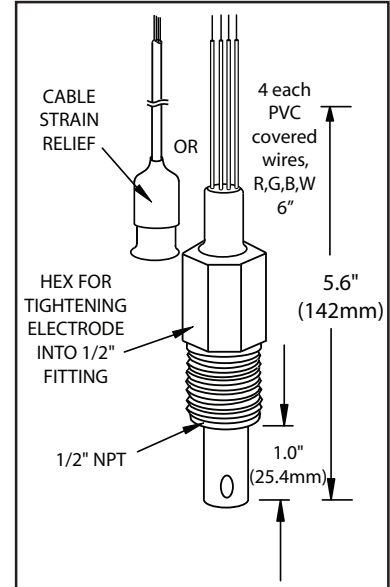
CS675TC, CS675HTTC



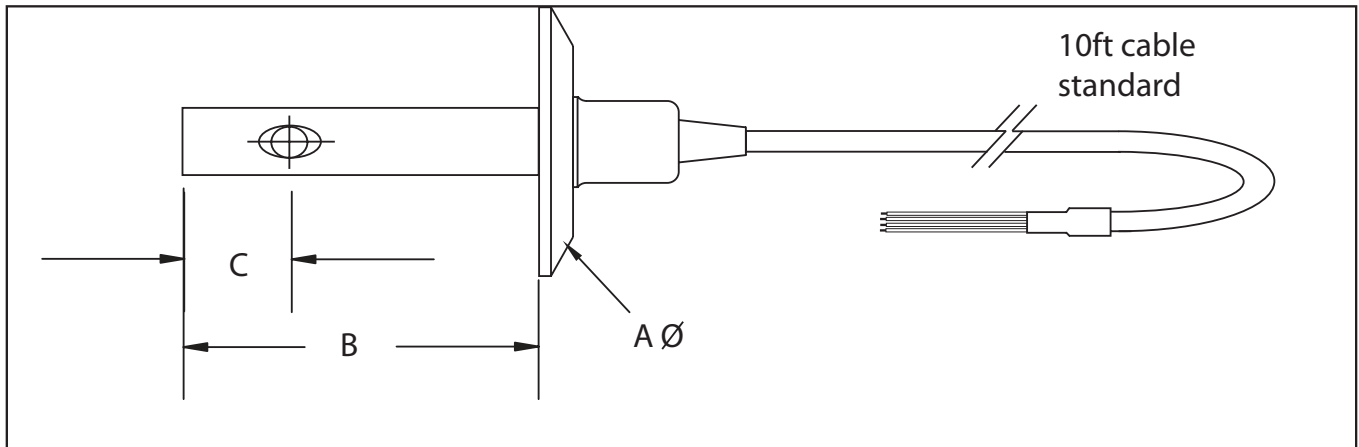
CS676TC, CS676HTTC, CS676HPTC



CS650TC



For more details, see SpecsSScond at www.sensorex.com



Model No.	Dim. A	Dim. B	Dim. C
CS615- k=0.1, 1	2.0" (50.8mm)	2.65" (67.3mm)	0.80" (20.3mm)
CS620 -k=0.1, 1	2.5" (63.5mm)	2.65" (67.3mm)	0.80" (20.3mm)
CS620- k=0.01	2.5" (63.5mm)	5.00" (127mm)	1.97" (50.0mm)

For more details, see SpecsSanitaryCond at www.sensorex.com